

Acacia Folding Adirondack Chair Instruction Manual



After Sales Support

Call 0871 911 7031

Email

customerservice@gardengearonline.co.uk

Product Code G2862

Thank you for purchasing this product, which has been made to demanding high quality standards and is guaranteed for domestic use against manufacturing faults for a period of 12 months from date of purchase

For correct usage, please read these instructions carefully before use and keep in a safe place for future reference.

General information and safety warnings

- Remove all packaging and make sure that the product is intact. Do not leave packaging materials like bags and staples within the reach of children and pets.
- Read through these instructions fully before using the product, it contains important information and must be retained for future reference. Read carefully.
- Regularly inspect the fixings for signs of wear.
- For outdoor use only.
- Do not stand on the furniture.
- Always use on a level surface.
- The maximum load weight for the chair is 100kg.
- Do not let children play on this furniture.
- Do not sit on the arms or back of this furniture.
- Before assembly, check that there is no damage to any parts or fixings.
- No more than one person should sit on the seat at any one time.
- Always store away the furniture if adverse weather is forecast.
- Never drag the furniture. Always lift and move evenly between 2 people.
- Always take the cushions off the furniture and store away if adverse weather is predicted.
- Not suitable for commercial purposes.




Care and maintenance

- Your furniture will arrive pre-treated with oil to protect it from general outdoor use. However, we would recommend using a cover to protect from the elements, especially through autumn and winter.
- A seasonal cleaning may still be needed. Rinse the furniture and use a sponge or soft bristle brush to scrub the furniture with a mild cleaning solution. Lastly, rinse the furniture with fresh water; never soak or immerse the bench in water.
- To maintain the original finish, reapplication of a high-quality oil is recommended.
- Paint or any products containing polyurethane are not recommended.

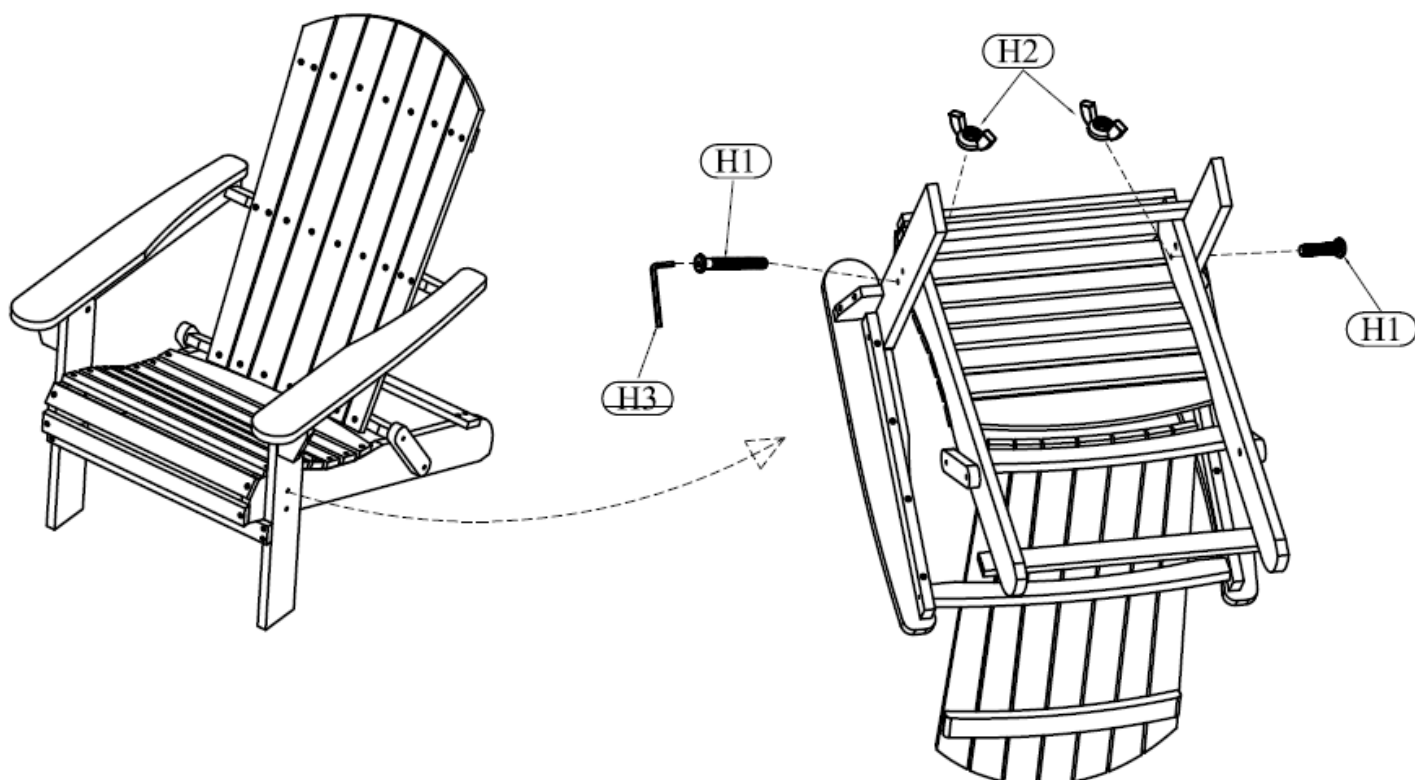
Assembly

- Remove all parts from the box and dispose of all packaging correctly.
- Check that you have all the parts listed before starting.
- Assemble on a flat level surface.
- We recommend that 2 people assemble this furniture.
- Make sure that all fixtures and fittings are tightly secured before using set.
- Do not fully tighten all the screws until the set is fully assembled.

Parts list

 <p>Allen Head Bolt Ø8 x 50mm</p> <p>(H1) 2 pcs</p>	 <p>(H2) 2 pcs</p>
 <p>Allen Key 4 x 60mm</p> <p>(H3) 1 pc</p>	

1. The chair will arrive folded, unfold the chair and turn it upside down. Secure the legs as shown using the bolts (H1) with the allen key (H3) and the wing nuts (H2). Loosely attach the bolts until you are sure it is assembled correctly, then tighten them fully.
2. The bolts will need to be removed when folding the chair for storing.



**GUARANTEE
IMPORTANT**

**Please do not return this product without first calling the Customer Service number below:
0871 911 7031***

Thank you for purchasing this product, which has been made to demanding high quality standards and is guaranteed for domestic use against manufacturing faults for a period of 12 months from the date of purchase.

Register your product for an extended 2-year warranty by visiting our website www.gardengearonline.co.uk. The product must be registered, along with your contact information, within 30 days of purchase. For full terms and conditions please visit our website.

This guarantee does not affect your statutory rights. If your product fails due to a defect in material or workmanship during this period, please return it to the place of purchase. Normal wear and tear is not covered under the guarantee.

Any guarantee is invalid if the product has been misused or subject to neglect or an attempted repair other than by our own service centre.

Due to continuous product improvement, we reserve the right to change the product specification without prior notice.

After Sales Customer Service:

Customer Service Department, Branded Garden Products Ltd, Premier House, Hortonwood 7, Telford, TF1 7GP, UK

Telephone: 0871 911 7031*

E-mail customerservice@gardengearonline.co.uk

Please retain for future reference.
Colours and contents may vary.

*Calls cost 13p per minute plus your phone company's access charge