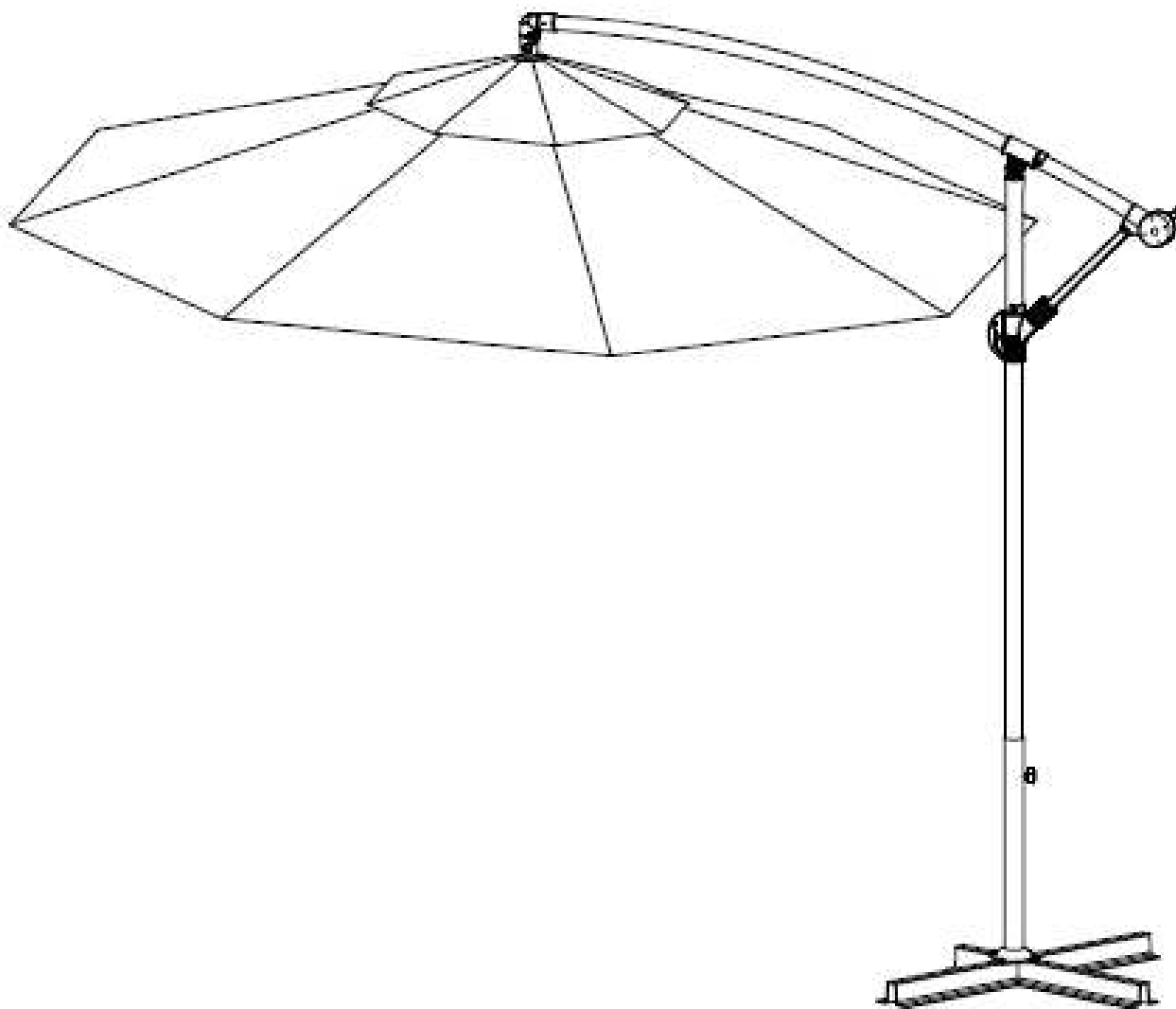


Cantilever Parasol

G3753 / G3754 / G3755 / G3756 / G3757



For correct usage, please read these instructions carefully before use and keep in a safe place for future reference.

General Information and Safety Instructions

A free-standing garden parasol with a simple to use crank mechanism. Simply raise the canopy to the angle you require and lock in position on the pole. Turn the crank handle and the parasol will open up to give you instant shade from the sun. as it is free-standing (weighted base needed), the parasol can be used anywhere in the garden.

Safety

- Ensure the stand is on level ground before attempting to erect the parasol. Paving slabs or our purposely designed parasol base will be needed to weight the parasol down to counterweight the cantilever.
- Ensure the locking handle is locked securely against the pole at the angle you require before opening the parasol.
- Never allow children to play with the parasol.
- Never leave children unattended when the parasol is in use.
- Do not attempt to remove the parasol from the parasol frame.

Contents

- 1x Upper pole consisting of parasol with crank arm, locking and positioning handle.
- 2x Base cross sections (A & B).
- 1x Parasol support (D).
- 1x Securing Knob (C).
- 4x Screws and washers (F & G), 1x Wrench (H).
 - **Please note:** these parts maybe taped to the inside of the box.
- 1x Parasol (E).
- 1x Instruction manual.

Specifications

- | | |
|---|----------------|
| • Diameter of open parasol: | 270cm |
| • Height of parasol from tip to ground level: | 245cm |
| • Mail pole material: | Aluminium |
| • Ribs (x6): | Steel |
| • Parasol material: | 100% Polyester |

Assembly Instructions

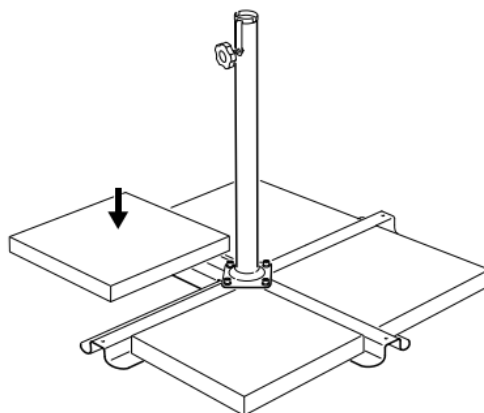
- Remove all items from the packaging and either store or dispose of in the correct manner.
- Check you have all the correct items in the quantity shown in the contents section.

Choosing a location for your parasol

- The parasol should be placed in a secure location. Do not place on uneven ground or on a slope. It will sit on decking, patio areas or on level grassed areas.

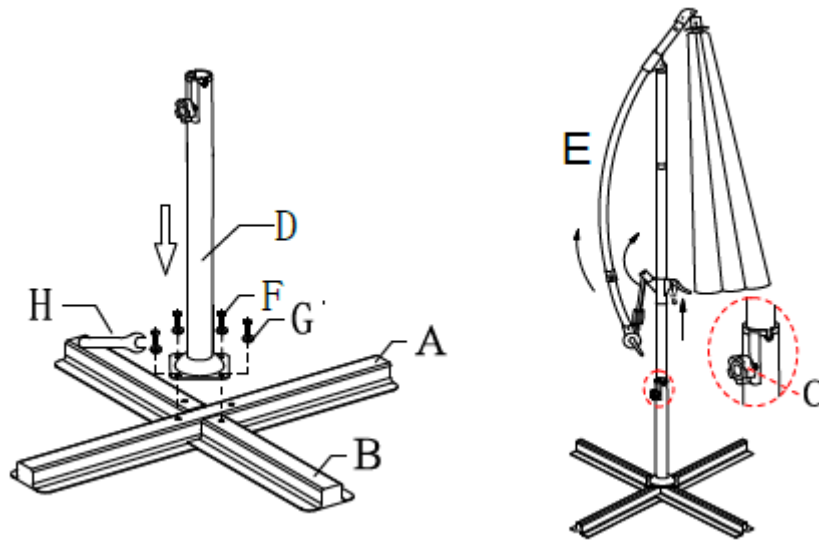
Erecting your parasol

- Position the garden parasol in your desired location.
- The design of the base of the parasol invites you to use a number of different methods of support:
 - Purposely designed parasol base: The base can be filled with water and/or sand. We recommend that you use both water and sand to maximise their weight and stability. They are also available from Garden Gear (item code G2307). Order online at www.gardengearonline.co.uk
 - Paving slabs: Ensure that the combined weight of 4 paving slabs exceeds 50kg (110lbs).
 - Suitable screws and fastenings: Consult a professional to determine the correct screws and fastenings needed to secure the parasol to your specific ground surface (concrete, cement, wooden decking, etc).



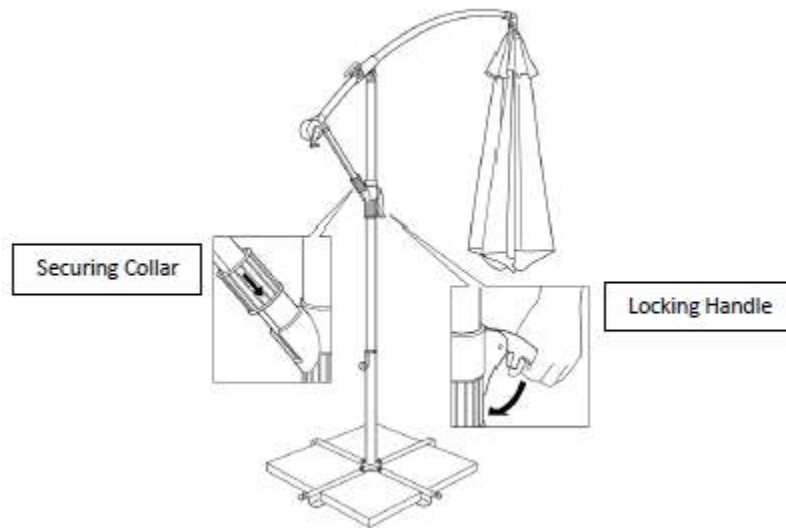
- Position the 2x base cross sections (A & B) as shown overleaf and then position the parasol support (D) in place, fixing securely with the 4 screws and washers (F & G) supplied.

- Ensure that the securing knob (C) is fully unscrewed from the parasol support (D) to allow the parasol to be inserted fully.
- The main pole complete with canopy (E) will now sit into the parasol support (D).
- Place the securing knob (C) into the hole located towards the top of the stand (D) and turn clockwise to secure in place.



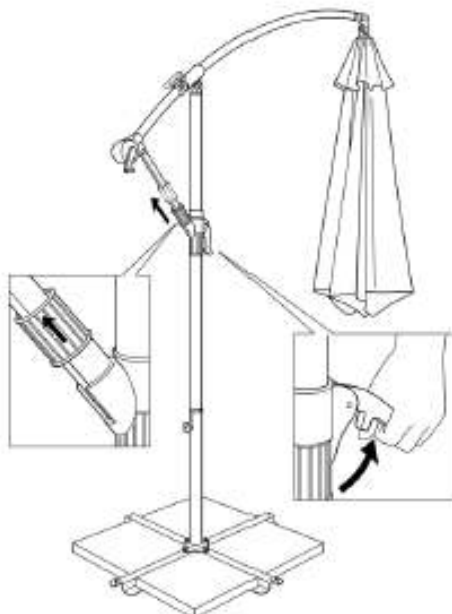
To raise the parasol

- Locate the locking handle on the side of the main pole and unlock by pulling the handle away from the pole.
- Push the handle up the pole until the parasol is at your desired height. The canopy will have moved away from the pole.
- Push the locking handle back towards the pole so it secures the parasol in place.
- Slide the securing collar into place to fix the support arm into place.
- Finally wind the crank in a clockwise direction (following the arrows on the crank) to open the canopy.
- Use the locking handle to adjust the canopy into your required position.



To lower the parasol

- Close the canopy by winding the crank in an anti-clockwise direction (following the arrows on the crank).
- Locate the locking handle on the side of the main pole and unlock by pulling the handle away from the pole.
- Slide the securing collar up to allow the support arm to move freely.
- Let the handle slide down the pole until the parasol has returned to the side of the pole.
- Push the locking handle back towards the pole so it locks the parasol in place.
- If using a cover, slide the cover over the top of the parasol and secure into place with the pull string.



Important:

Always lower the canopy in windy conditions. Periodically check that whatever support base method you have used (water filled base, paving slabs, bolts, etc) are secure and in the correct position.

GUARANTEE

IMPORTANT

**Please do not return this product without first calling the Customer Service number below:
0871 911 7031***

Thank you for purchasing this product, which has been made to demanding high quality standards and is guaranteed for domestic use against manufacturing faults for a period of 12 months from the date of purchase.

Register your product for an extended 2-year warranty by visiting our website www.gardengearonline.co.uk. The product must be registered, along with your contact information, within 30 days of purchase. For full terms and conditions please visit our website.

This guarantee does not affect your statutory rights. If your product fails due to a defect in material or workmanship during this period, please return it to the place of purchase. Normal wear and tear is not covered under the guarantee.

Any guarantee is invalid if the product has been misused or subject to neglect or an attempted repair other than by our own service centre.

Due to continuous product improvement, we reserve the right to change the product specification without prior notice.

After Sales Customer Service:

Branded Garden Products Ltd, Premier House, Hortonwood 7, Telford, TF1 7GP
Telephone: 0871 911 7031*
E-mail customerservice@gardengearonline.co.uk

Please retain for future reference.
Colours and contents may vary.

*Calls cost 13p per minute, plus your phone company's access charge